

Push Button & Rotary Switch Covers - S2153

Designed to increase the safety of power isolation

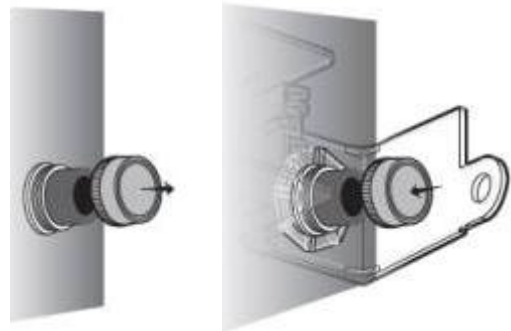
- ✓ Captured by the rotary or pushbutton switch bezel
- ✓ Strong transparent ABS body
- ✓ Fits both 30.5mm and 22.5mm diameter switches
- ✓ Accommodates buttons up to 40mm diameter and 45mm tall
- ✓ Clear base and cover allow visibility of nameplates and labels
- ✓ Permanently installed on panel



Instructions for installation



**S2153 Installed Push Button
and Rotary Switch Cover**



1. Pull out the button
2. Install the Push button cover
3. Put the push butto back on

CAUTION : These are not “lockouts,” but instead are “covers”. OSHA allows their use for tasks (see next page) that are routine, repetitive, and integral to the production process.

Technical features

- Strong transparent ABS body
- Fits both 30.5mm and 22.5mm diameter switches
- Accommodates buttons up to 40mm diameter and 45mm tall
- S2153: 1 x Push button and rotary switch cover

CAUTION

These are not “lockouts,” but instead are “covers”. OSHA allows their use for tasks (see below) that are routine, repetitive, and integral to the production process.

Characteristics of these tasks:

- Short in duration and minimal interruption to the production process
- Minor in nature
- Occur frequently during production
- Usually performed by operator, set-up, maintenance or service personnel
- Do not involve extensive disassembly
- Are predetermined cyclical activities
- Exist even when optimal operating levels are achieved
- Require task specific training for personnel

Examples of these tasks:

- Die or drill bit changes
- Jam clearing
- Conveyor clearing
- Lubrication
- Frequently Asked Questions
- Tool changes
- Minor cleaning
- Adjustments and set-up