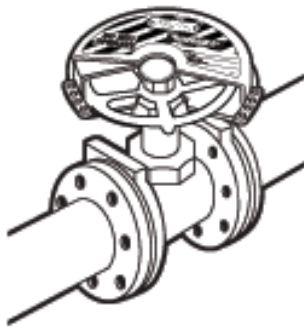


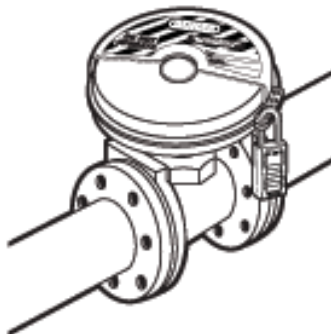
Gate Valve Lockout 480; 481; 482; 483; 484 & 485

Gate valve lockout cover surrounds the valve operating handle to prevent accidental valve opening.

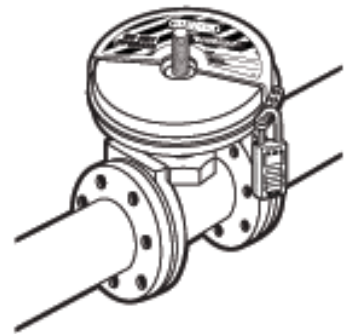
- ✓ Suitable for confined spaces and insulated pipes
- ✓ 5 different valve lockout sizes for better fit
- ✓ "Knockout" centre disc enables cover to take a rising gate valve
- ✓ Each size nests into the next largest size to save space for easy storage
- ✓ Covers can be locked with up to four lockout padlocks, or more when used with a lockout hasp
- ✓ Permanent "DANGER DO NOT OPERATE" labels can be used to identify worker, shift or department.
- ✓ Set of the 5 Gate Valve Lockout devices available Ref. 485



1.



2.



3.

Technical specifications

- Composite body
- Withstands temperatures from -57°C to 177°C. Thermal shock resistant
- Chemical & Corrosion resistant
- UV stable
- 480 fits valve diameters from 25 to 76mm
- 481 fits valve diameters from 50 to 127mm
- 482 fits valve diameters from 101 to 165mm
- 483 fits valve diameters from 152 to 254mm
- 484 fits valve diameters from 203 to 330mm
- 485: Set of 480, 481, 482, 483, 484 Gate Valve Lockout